

4

3

2

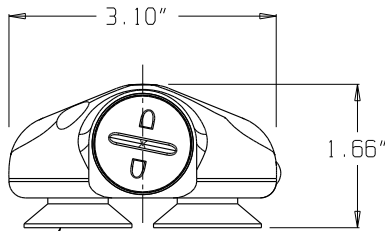
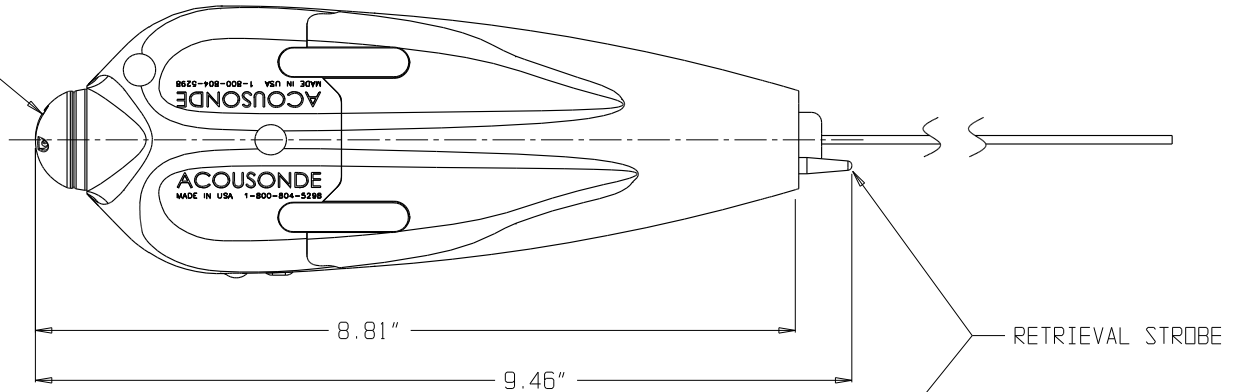
1

NOTES:

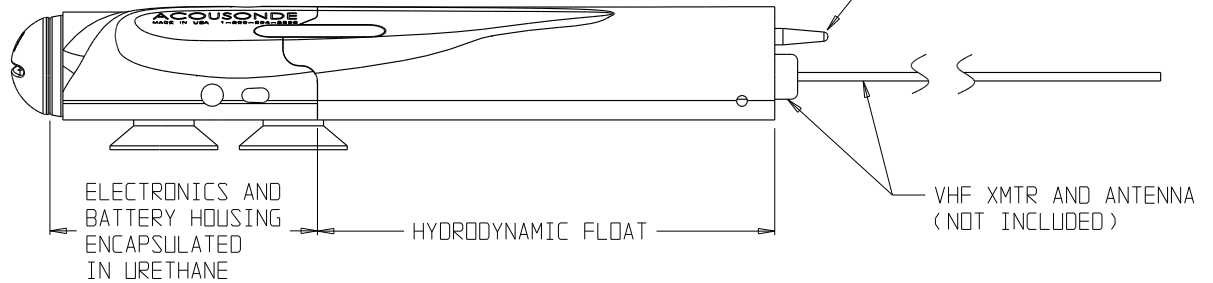
- 1. FOR DETAILS AND CONTACT INFORMATION, VISIT www.acousonde.com
- 2. MAXIMUM WEIGHT IN AIR, FULLY ASSEMBLED: 360 GRAMS
- 3. MINIMUM BUOYANCY IN SEAWATER, FULLY ASSEMBLED: 50 GRAMS

REVISIONS				
ZONE	REV	DESCRIPTION	DATE	APPROVED
	A	INITIAL RELEASE	20 DEC 10	PAT D

USER-REPLACEABLE BATTERY
(IN PRESSURE HOUSING)



USER-REPLACEABLE SILICONE
SUCTION CUPS (4)



REVISION	NEXT ASSY	USED ON	APPLICATION

DO NOT SCALE DRAWING INTERPRET DIMENSIONS AND TOLERANCES [AW ASME Y14.5M-1994] UNLESS OTHERWISE SPECIFIED DIMENSIONS ARE IN MILLIMETERS TOLERANCES ARE: ANGULAR ± .5° ROUNDOUT .005 1R DECIMAL .X ± .05 .XX ± .02 .XXX ± .005 HOLES < Ø .500 +.005/- .002 SURFACE FINISH 63 SURFACE ROUGHNESS BREAK EDGES .005-.020 CHAMFER OR RADIUS FILLET RADIUS .031 MAXIMUM		QTY REQD FSCM NO. PART OR IDENTIFYING NO.	NOMENCLATURE OR DESCRIPTION PARTS LIST CONTRACT NO.	MATERIAL SPECIFICATION ITEM NO.
APPROVALS DRAWN P. DEXTER CHECKED ISSUED		DATE 20 DEC 10	greenridge sciences inc. ACOUSONDE 3B MARINE SOUND RECORDER	
REVISION		SIZE CAGE CODE C 92805	DWG. NO. GR2131	REV A
DO NOT SCALE DRAWING		SCALE 1:1	SHEET 1 OF 1	

DWG. NO. GR2131 SH. 1 REV. A

4

3

2

1